

User Manual

Multifunction Tennis Ball Machine



*Easy movement by science
and technology*

Minors are forbidden to operate or clean the machine to avoid damage to the machine or any danger.

Thanks for choosing our multifunction tennis ball machine.
Please read this manual carefully before operating with the machine.

Catalogue

1.Spare parts list

- Spare parts..... ①
- Construction..... ①

2.Instructions

- Introduction of control panel①
- Introduction of remote control.....②
- Remote control operation③
- Commonly used pattern parameters.....③

3.Function Parameters

- Function ④
- Parameters ④

4.FAQ

- Notice ⑤
- Troubleshooting ⑤

NO.4 FAQ

WARNING

- ▲ Do not use the machine in a wet court.Wet ball will cause ball jam.
- ▲ Keep face out of ball path-balls can shoot out from shooting window at any time.
- ▲ If there are ball into the machine carelessly,please turn off the power immediately and take out the ball. Otherwise will cause malfunction (such as stuck ball) or even damage the machine.
- ▲ Power off when cleaning up interior of the machine,Do not allow the minors operate the machine to avoid any danger.
- ▲ Regular clean the inside of the machine.
- ▲ To prolong the battery life,please make charging and discharging at least once every three months.

Troubleshooting

Fault conditions	Reason	Solution
No power	①Wrong switch or cable ②Fuse burn	①Choose correct switch and cable ②Change fuse
No serving	①No power on the machine or remote control battery ②Ball stuck	①Connect the power of the machine and remote control ②Power off and Take out all the balls inside of the machine
Ball out of the court	①Machine on the wrong place ②Speed is too fast ③Different type of tennis ball	①Put the machine in the middle point of the base line ②Slow down the speed ③Choose the same standard tennis balls

NO.3 Function Parameters






Function Instruction	
NO.	Description
1	Smart remote control with multi-function(speed,frequency,angle,rotate,ect.)
2	High performance of photoelectric sensors makes the machine runs more stably.
3	Humanized design,internal serve direction,more practical training.
4	The remote control is clear and easy to operate with LCD screen.
5	Standard cells, and the use time 3 to 4 hours.
6	Remote control with light ball or deep ball two line function(wide,middle,narrow), three line functions.
7	One button to choose six kinds of cross-line ball.
8	Capacity:150pcs balls.
9	Random function.
10	Top-back spin and power adjustment.
11	Internal battery makes the machine more convenient.
12	Double S ball dividing system makes the ball shooting more smoothly.
13	Suitable for any tennis balls(training balls,professional balls).
14	Shooting wheels and the main motor with high quality materials are durable,motor service life can be up to 10 years.
15	Portable telescopic rod,easy to move.
16	Standard accessories :remote control,charger,and cable.
17	Luxurious design easy to carry,can be placed in the trunk of any cars after folding.

Parameters			
Power	120W	Speed	20-140 km/h
Color	Black,white,red	Frequency	1.8-6sec/ball
Voltage	AC power(100V-110V or 220V-240V selected) DC power(12V)	Weight	22KG
Capacity	150 balls	Package	63.5*53*61.5cm

④

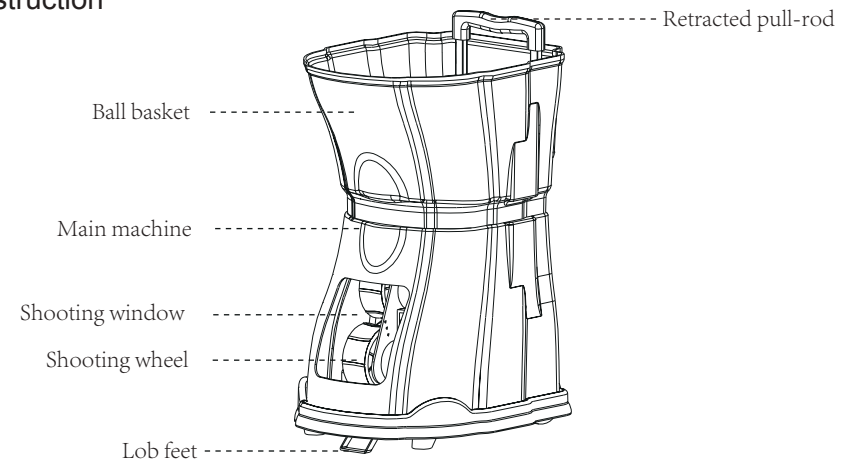
NO.1 Spare part list

Please check the parts according to the following list when the machine unpacked.

				
Remote control 1pc	Remote control battery(9V) 2pcs	AC power cable 1pc	Charger 1pc	Fuse 2pcs

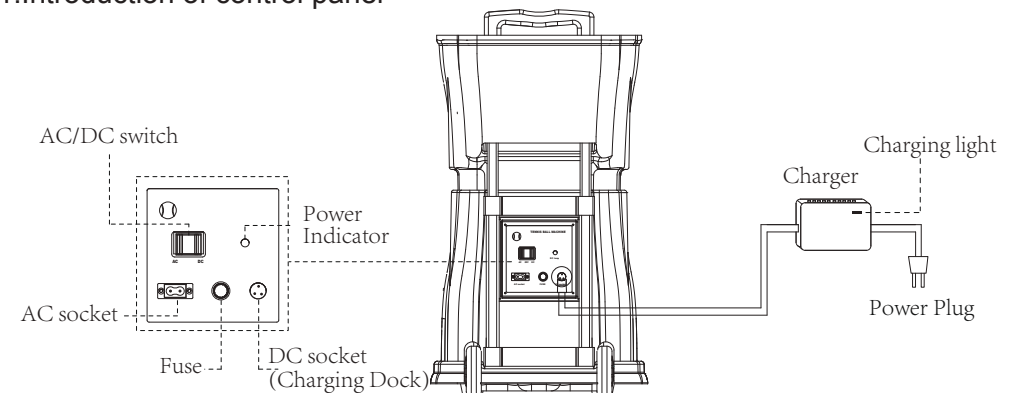
Note:After checking,please fit the fuse tube on the machine and let the remote control equipped with battery.

Construction



NO.2 Instructions

1.Introduction of control panel



(Note: The charger is only used for charging, Don't use it as the power cord)
(Red light means charging.Green light means full charge.)

①

2.Introduction of remote control



Note: Push and hold the ON/OFF button for 3 seconds to turn the remote control on.

3.Remote control operation

- ① Fixed point: press fixed point button.
Note: you can adjust deep/short direction or left/right direction.
- ② Deep-short recycle: first time,the left depth ball;
second time,the middle depth ball
third time,the right depth ball.
- ③ Two/three line recycle: first time,the short three line ball;
second time,the deep three line ball;
third time,the short two line ball;
fourth time,the deep two line ball;
- ④ Random pattern: press random button,the machine start to serve random balls.
- ⑤ Cross line recycle: first time,left deep ball&right short ball;
second time,left short ball& middle deep ball;
third time,middle short ball&right deep ball;
fourth time,middle deep ball&right short ball;
fifth time,left deep ball&middle short ball;
sixth time,left short ball&right deep ball.

4.Commonly used pattern parameters

The deep ball model setting			The short ball model setting		
Model	Speed	Frequency	Model	Speed	Frequency
deep fixed ball	70	50	short fixed ball	120	50
deep two/three line ball	50	70	short two/three line ball	100	70
random ball	70	50	random ball	70	50
deep-short ball	60	60	deep-short ball	60	60
cross ball			cross ball		

Primary students are suitable for deep ball setting. Senior students are suitable for short ball setting.

Note: Drop point depends on the ball material and the position of the machine.Different setting has a slight deviation.