

User Manual

Micro-computer shuttlecock shooter



*Easy movement by science
and technology*

Thanks for choosing micro-computer shuttlecock shooter.
Please read this manual carefully before operating with the machine.

Forbid minors to operate or clean the machine ,avoid damage the machine or any danger.

Catalogue

1.Parts list of machine

- Parts list①
- Integral structure①
- Installation step①/②

2.Instructions

- Lifting adjustment and elevation adjustment ·②
- Remote control instructions③

3.Function parameters

- Main function④
- Product parameters④

4.FAQ

- Notice.....⑤
- Common faults and solutions⑤

NO.4 FAQ

Notice

- ▲Do not disassemble or change the machine voluntarily.
Otherwise it will damage the machine or result in serious accident.
- ▲Don't place the machine in direct sunlight for a long time to prevent plastic rubber from aging.
- ▲Do not train the machine with moist, stained and damaged balls, otherwise it will cause faults such as jamed balls or even broken the machine.
- ▲Turn off the power and take out the ball right away when play the shuttlecocks inside of the machine, otherwise it will cause the accident or damage the machine .
- ▲If the machine has an unusual situation, for example: big noise, strong smog and leakage, please immediately cut the power, then contact with local service provider or manufacturer.
- ▲Do not move it during working.
- ▲Do not operate the power or switch of the machine by wet hand, otherwise it will cause electric shock.
- ▲Do not touch the internal components by hand when the machine in working, to avoid an accident.
- ▲Forbid minors operate machine or clean internal of machine to avoid damage the machine or cause personal danger.

Common fault and solution

Fault phenomenon	Reason	Solution
Machine doesn't work	①AC power cord has damaged or not plugged in ② Check the fuse	①Change or plugged in AC power cord ② change a new fuse
The machine serving two or more shuttlecocks at one time	① The old shuttlecocks adhere together ② The shuttlecocks are broken	① Seperate the shuttlecocks ② Change new shuttlecocks
Shuttlecocks jamed	① The basket holder or the shuttlecock don't put in it's position ② The feather of the shuttlecock is broken ③ The fairway is not smooth	① Put the basket holder or shuttlecocks in right position ② Change new shuttlecocks ③ Clear the fairway
Serving normal but basket don't move	The inductor is dirty and can not receive signal	Clear the inductor avoid it is blocked by dust
Ball can't pick up	① The material of the shuttlecocks is different ② The inductor is dirty	① Use the same shuttlecocks ② Clean the inductor






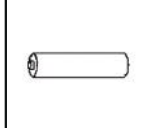

NO.3 Function parameters

Function introduction	
NO.	Description
1	Semi-automatic remote control operation, remote distance over 100 meters, convenient and fast to use
2	Smart remote control with LCD screen to show functions of related instructions, clear and accurate
3	LCD display on remote control, easy to operate
4	Elevation angle adjusted by manual
5	Suited for any material balls (nylon ball, plastic ball and badminton ball)
6	Light and handy, suitcase type
7	Folding tripod wheels with brake, easy to carry
8	Accessories included the remote control and power cable
9	Fashion design, perfect size for car boot to carry.

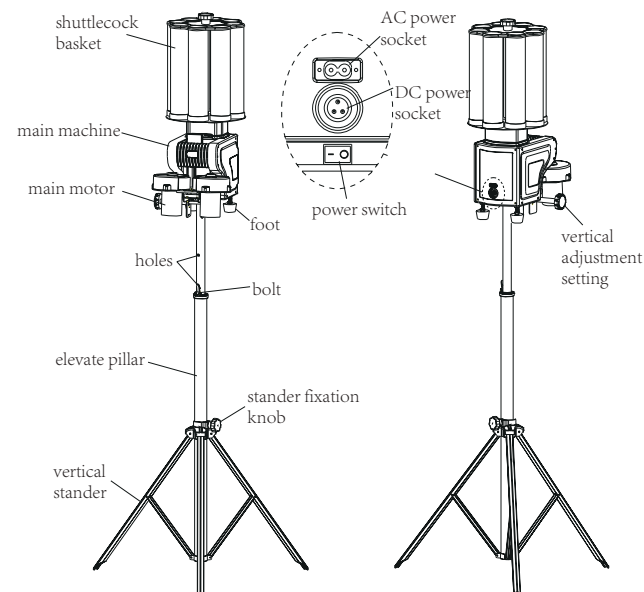
Product parameters			
Capacity	100PCS	Speed	20-140 km/h
Power	98W	Frequency	1.5-6s/ball
Height of serving mouth	min height above the floor: 135-140cm max height above the floor: 210-215cm	Elevation	manual
Lifting system	fixed or 0-75cm can be adjusted by manual	Horizontal	30° (by remote)

NO.1 Parts list of machine

Please check the parts according to the following list when the machine unpacked.

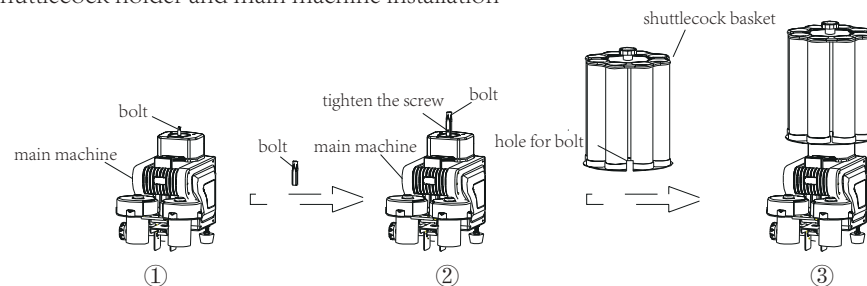
						
AC power cable 1Pcs	Basket holder pin 1Pcs	Tripod 1Pcs	Remote control 1Pcs	Shuttlecock holder 1Pcs	Battery for remote control 2Pcs	Allen wrench (2.5 and 3mm) 2pcs

1. Integral structure



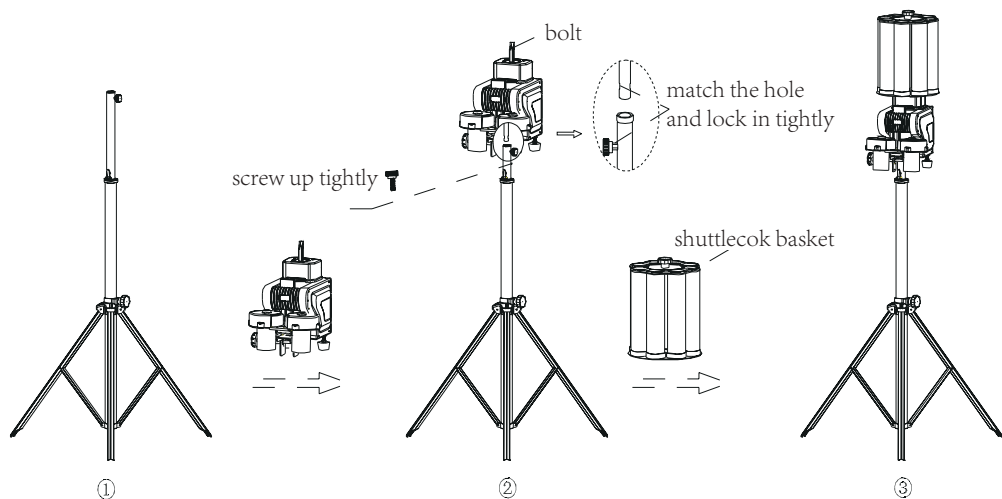
2. Installation step

① Shuttlecock holder and main machine installation



- Follow ① put the basket holder pin on the bolt, aim at the hole of the pin then locked screw.
 - Aim at the basket holder pin then put the basket on the main machine.
- Note: Power off till the basket holder pin stop moving, then put the basket on the machine.

② Instructions of the machine



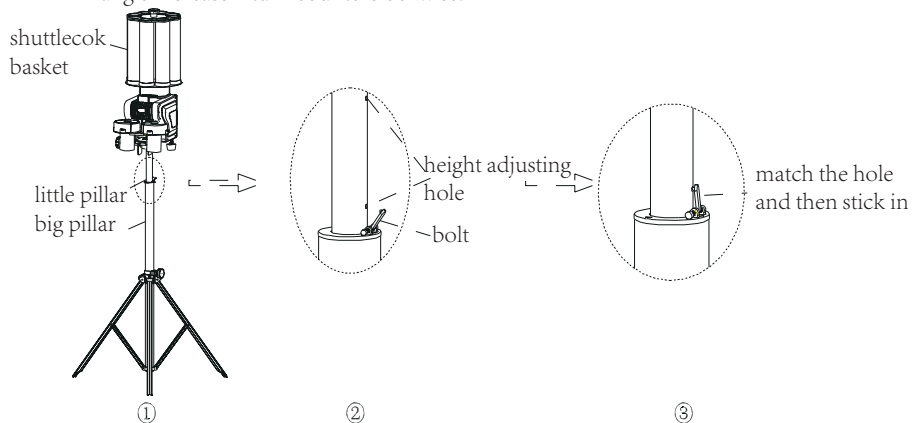
Please follow the ①、②、③ step above and install the main machine, please note lock the screw when install the main machine as picture ③.

NO.2 Instructions

1. Machine using

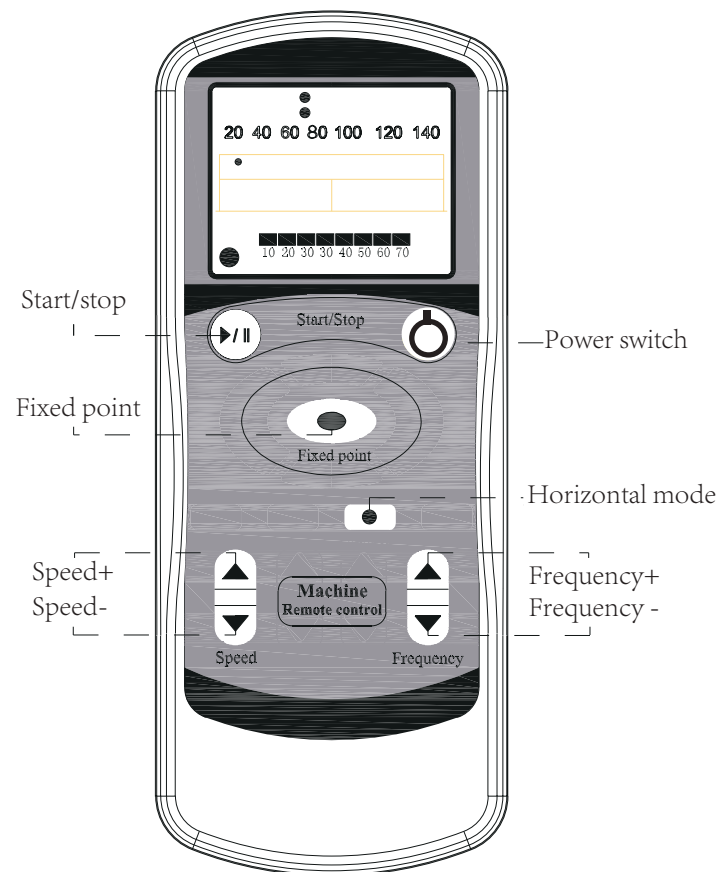
① Lifting adjustment and elevation adjustment

1. When you adjust the elevation, you must pull the knob out of its location, then can turn the knob of elevation adjustment, elevation angle decreases if turn clockwise, and elevation angle increase if turn counterclockwise.



2. You can adjust the height location hole when you need to adjust the height of ball shooting, holding the turb by hand (Be sure to make the hand position within the yellow warning line, otherwise may lead to accidents), reach the height you need, aim at the location hole and fasten.

2. Introduction to remote control panel



3. Remote control instructions

Random mode

- ① Touch "Random button", set the random model, the machine starts to service the random balls.
- ② You can set the training intensity according to your health condition, and adjust the "speed" and "frequency" to change the ball shooting speed and frequency increase or decrease.

PS: Machine location: you can choose the machine location according to different functions (such as you can put the machine close to the boundary line when you play net ball; or you can put the machine close to the front service line when you play backcourt deep clear ball or drop ball.)

Note:

- (1) Turn on remote: The machine is designed with shooting delay function, press "power switch" button in order to start the remote. The machine will shoot automatically after 5 seconds when press "work/pause", do not stand in front of the machine avoiding accident.
- (2) Turn off remote: Press "work/pause" or any button to wake up the remote, long press the "NO/OFF" button to turn off the remote.