

User Manual

Multifunction Shuttlecock Shooter



*Easy movement by science
and technology*

Thanks for choosing our multifunction shuttlecock shooter.
Please read this manual carefully before operating with the machine.

Minors are forbidden to operate or clean the machine to avoid damage to the machine or any danger.

Catalogue

1. Part list of machine

- Integral structure ①
- Installation steps ①

2. Using instructions

- Lifting instructions ②
- Instructions of remote control panel ②
- Instructions of remote control ③
- Commonly used pattern parameters ③

3. Function parameters

- Main function ④
- Product parameters ④

4. FAQ

- Notice ⑤
- Troubleshooting ⑤

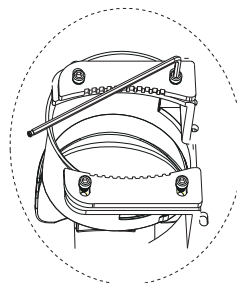
NO.4 FAQ

⚠ WARNING

- ▲ Do not disassemble or change the machine voluntarily.
Otherwise it will damage the machine or result in serious accident.
- ▲ Do not train the machine with moist, stained and damaged balls, otherwise it may cause faults such as ball jam balls or even breaking the machine.
- ▲ Turn off the power and take out the ball right away when play the shuttlecocks inside of the machine, otherwise it may cause an accident or damage the machine.
- ▲ Do not move it during working.
- ▲ Do not touch the internal components by hand when the machine in working, to avoid an accident.
- ▲ Minors are forbidden to operate machine or clean internal of machine to avoid damage to the machine or personal danger.

Troubleshooting

Fault phenomenon	Reason	Solution
Machine doesn't work	① AC power cord has damaged or not plugged in. ② Check the fuse.	① Change or plug in AC power cord. ② Change a new fuse.
The machine serves two or more shuttlecocks at one time	① The old shuttlecocks adhere together. ② The shuttlecocks are broken.	① Separate the shuttlecocks. ② Change new shuttlecocks.
Shuttlecock jam	① The basket holder or the shuttlecock don't put in it's position. ② The feather of the shuttlecock is broken. ③ The fairway is not smooth.	① Put the basket holder or shuttlecocks in right position. ② Change new shuttlecocks. ③ Clear the fairway.
Normal serving but basket doesn't move	The inductor is dirty and can not receive signal.	Clear the inductor avoid it is blocked by dust.
Ball can't pick up	① The material of the shuttlecocks is different. ② The inductor is dirty.	① Use the same shuttlecocks. ② Clean the inductor.



Mark: If the machine cannot pull down the shuttles, please adjust the metal clamp.







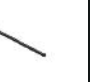
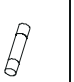
NO.3 Function Parameters

Function Introduction	
NO.	Description
1	Multi-functions with remote control(speed, frequency, trajectory etc).
2	High-performance photoelectric sensor, more reliable.
3	Flexible voltage system(100V-240V) to protect the machine from hurt due to over voltage or overflowing.
4	Pitching Angle adjustment system, serve up to 7.5 m in height.
5	Smash balls with high speed, to be a fantastic training.
6	LCD display on remote control, easy to operate.
7	Manually adjust the angle of two-line
8	Random function.
9	Shooting wheels and main motors are high-quality and durable service material, the main motor lifetime up to 10 years.
10	Internal power system, easy to move.
11	Suited for any material balls(nylon ball, plastic ball and badminton ball).
12	Light and handy, suitcase type.
13	Folding tripod wheels with brake, easy to carry.
14	Capacity of 180 balls per training time, fully enjoy the play.
15	Accessories included the remote control and power cable.
16	Fashion design, perfect size for car boot to carry.

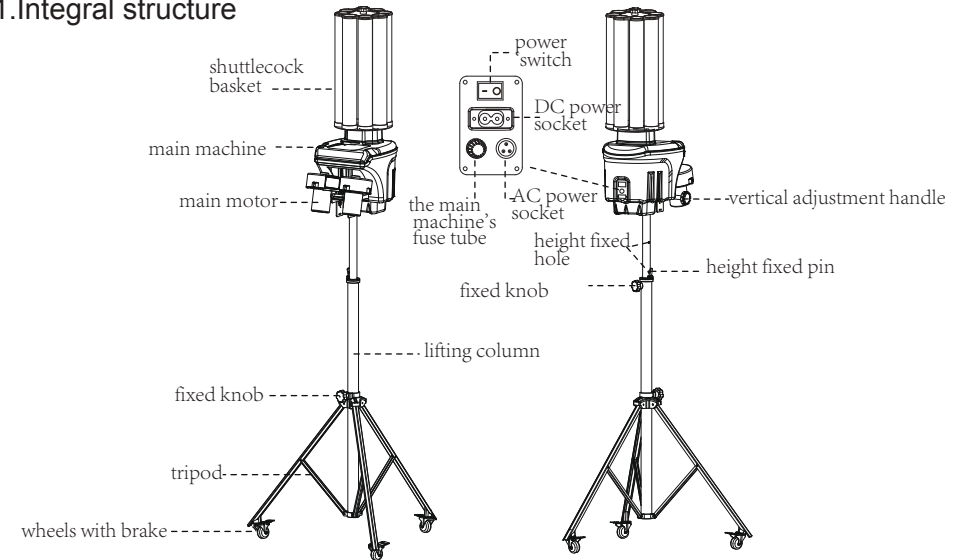
Product parameters			
Capacity	180PCS	Speed	20-140km/h
Power	75W	Frequency	1.2-4.5s/shuttle
Height of shooting window	min height above the floor:140cm max height above the floor:225cm	Elevation	35° ~ -18° (manual)
Lifting system	0-70cm can be adjusted by manual	Horizontal	33° (by remote)

NO.1 Part list of machine

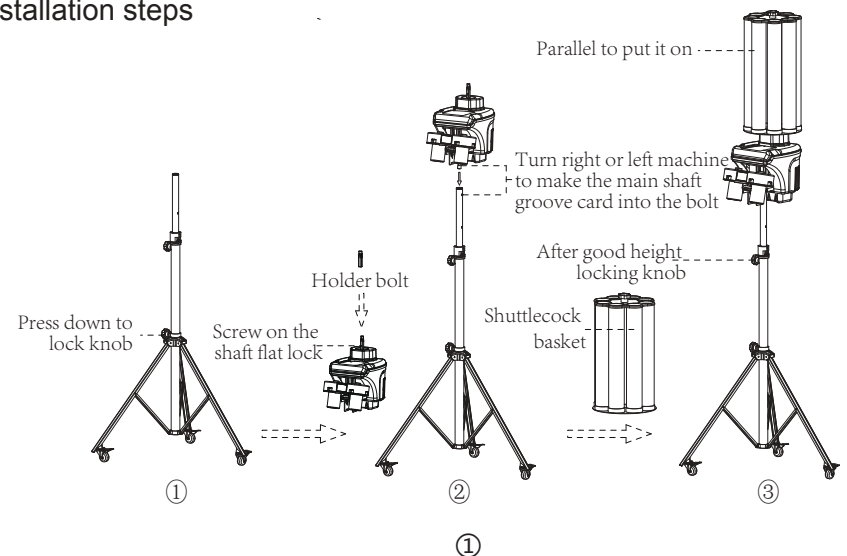
Please check the parts according to the following list when the machine unpacked.

							
AC power cable 1pc	Basket holder pin 1pc	Tripod 1pc	Remote control 1pc	Shuttlecock holder 1pc	Battery 2 pcs	Allen wrench(2.5 and 3mm) 1pc	fuse tube 1pc

1. Integral structure



2. Installation steps

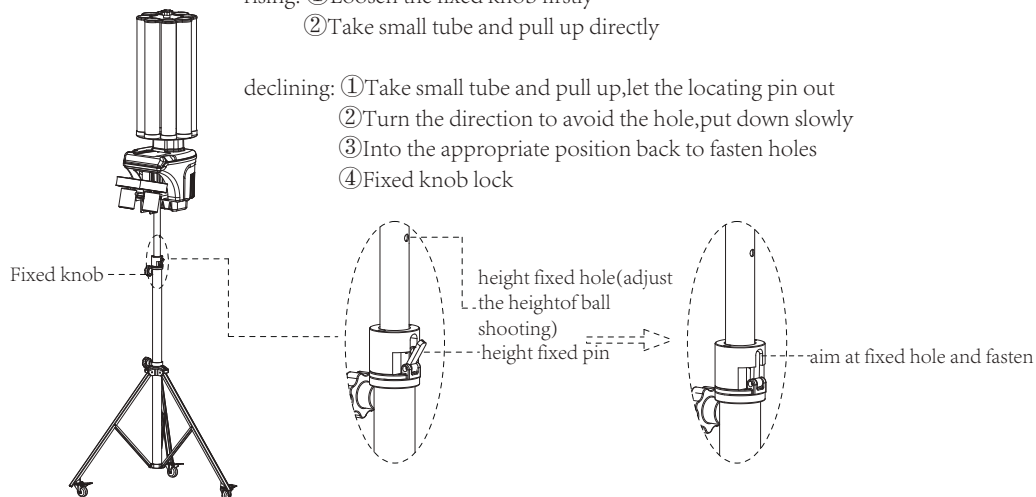


NO.2 using instructions

1.Lifting instructions

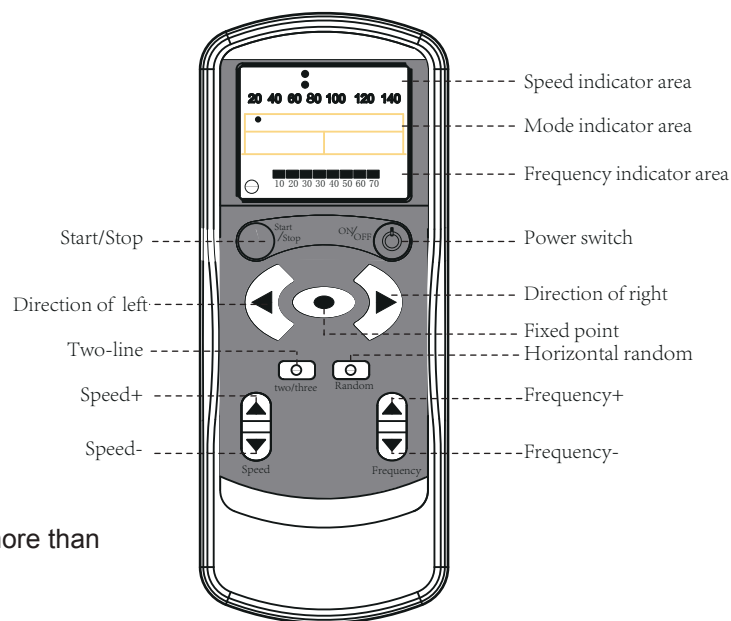
rising: ①Loosen the fixed knob firstly
②Take small tube and pull up directly

declining: ①Take small tube and pull up,let the locating pin out
②Turn the direction to avoid the hole,put down slowly
③Into the appropriate position back to fasten holes
④Fixed knob lock



Warning: When it's going bottom,hand must hold the column position above yellow warning line

2.Introduction of remote control panel



Note:
Please press more than 3s to power on.

②

3.Instructions of remote control

- ① Power switch: Please press more than 3 seconds to power on and the same way to power off
- ② Start/stop: work/pause function
- ③ Fixed point: Press to fixed point mode(ps:you can practice forehand and backhand with adjusting direction)
- ④ Two/three line: Press it to two-line function
- ⑤ Random: Press it to randomly serve the ball left and right
- ⑥ Speed up/down: Adjust the speed up and down
- ⑦ Frequency up/down: Adjust frequency up and down

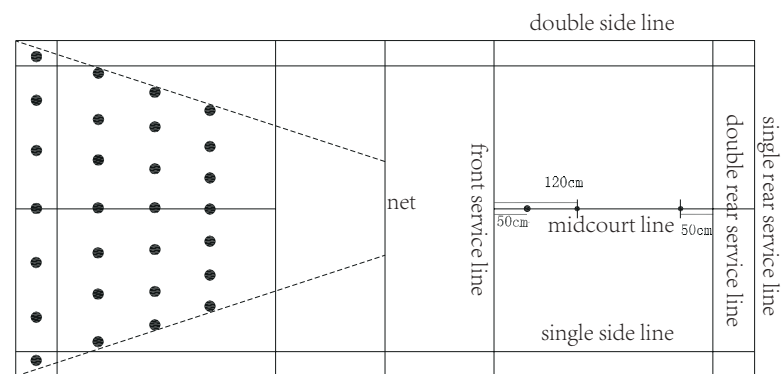
Note:Machine location: you can choose the machine location according different functions(such as you can put the machine close to the boundary line when you play net ball; or you can put the machine close to the front service line when you play backcourt deep clear ball or drop ball).

Note:
Turn on remote:the machine is designed with shooting delay function,press "ON/OFF"button in order to start the remote.the machine will shoot automatically after 5 seconds when press "Start/stop",do not stand in front of the machine avoiding accident.

4.Commonly used pattern parameters

Mode	Machine position	Lifting height	Elevation angle	Speed	Frequenc
Parallel	0.5m to front service line	1.4m	Micro-high	100	60
High clear ball	0.5m to front service line	2.25m	Highest	100	60
Smash ball	0.5m to front service line	2.25m	Lowest	140	60
Random ball	0.5m to front service line	1.4m	Flat high above	100	60
Net ball	0.5m to rear service line	1.4m	Micro-high	30~40	60

Note:Any transfer according to actual demand(machine location see below sketch)



Note:The point of fall depends on the ball material and the position of the machine. Different setting has a slight deviation.

③